

# Centrefeed Dispenser

M2

Elevation  
Design



**essity**

Manufactured by Essity Hygiene and Health AB  
SE-40503 Göteborg, Sweden

Visiting address: Mölndals Bro 2, Mölndal

www.essity.com, www.torkglobal.com

Patents/Brevets/Patentes: www.essity.com/patents

Distributed by

Essity Professional Hygiene North America LLC

Philadelphia, PA 19104

www.essity.com, www.torkusa.com

Made in Germany

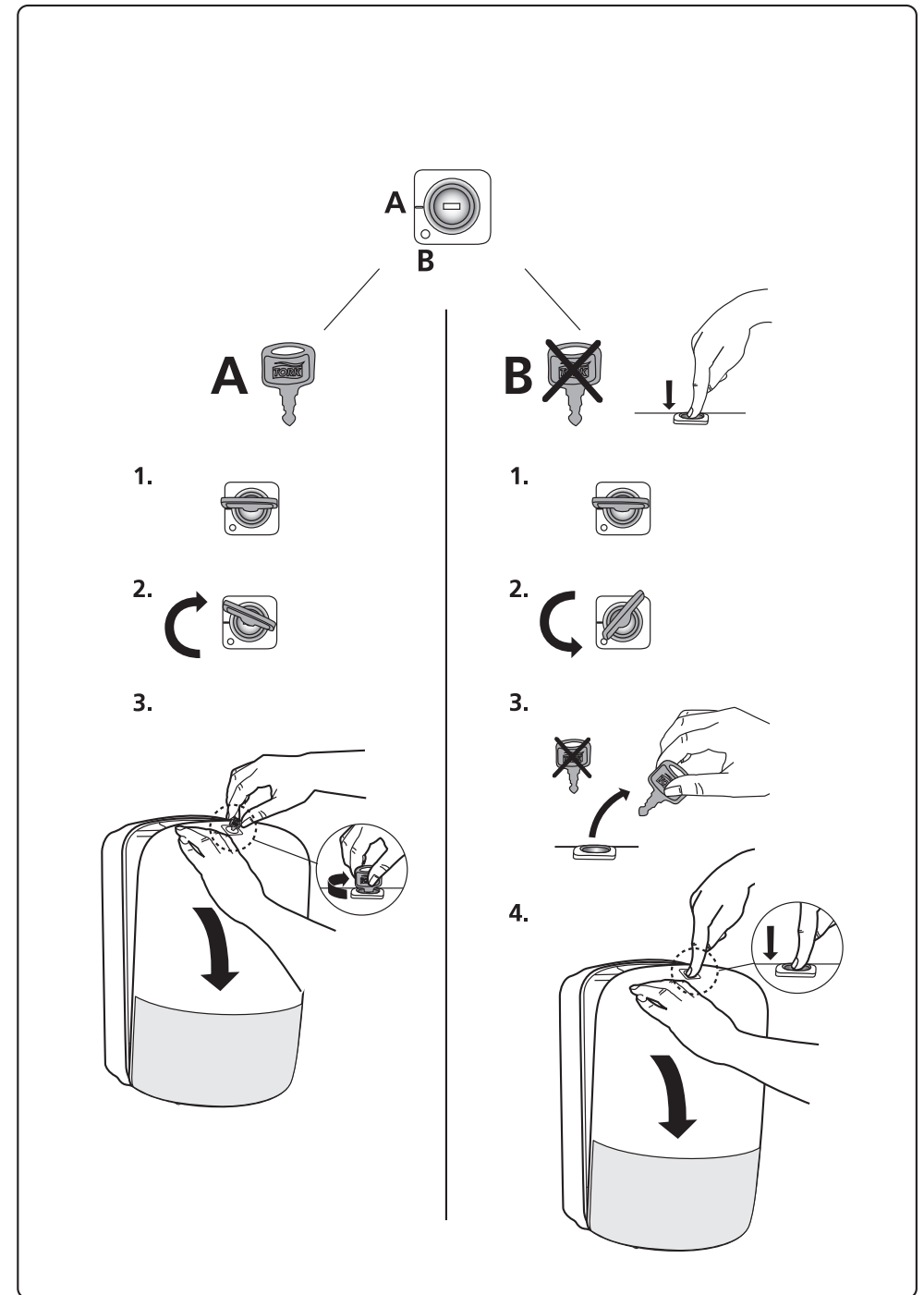
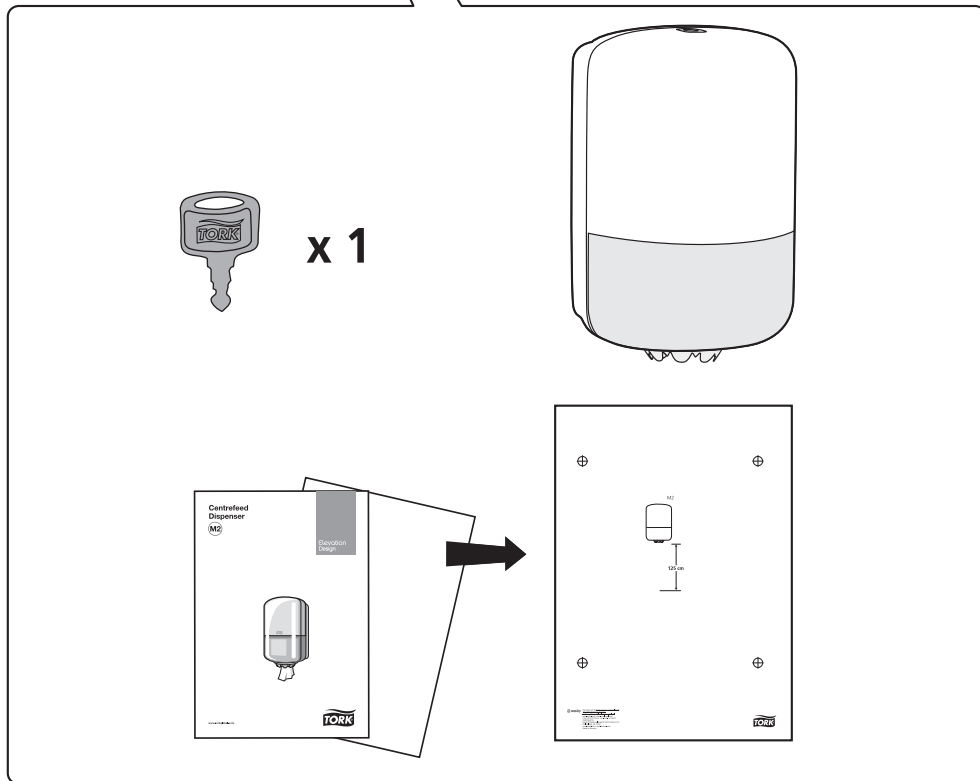
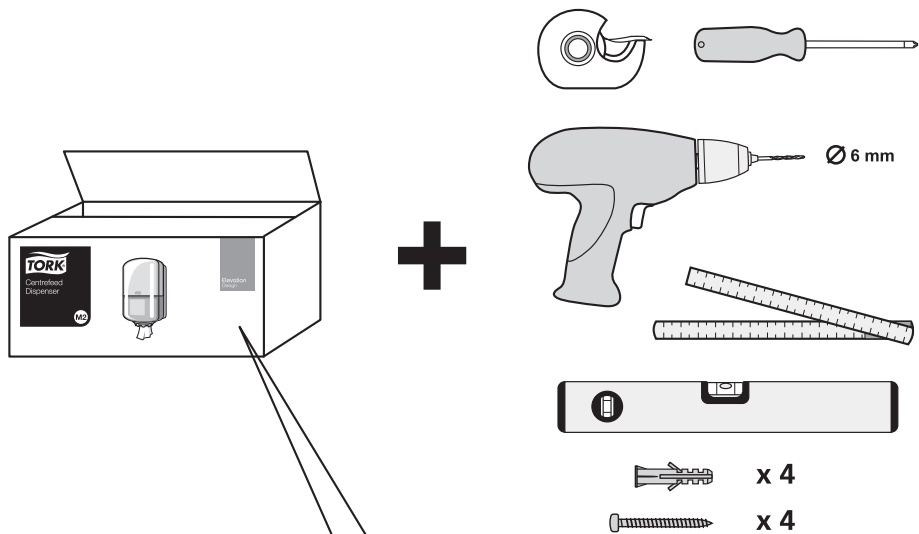
Essity UK Limited

Southfields Road, Dunstable,

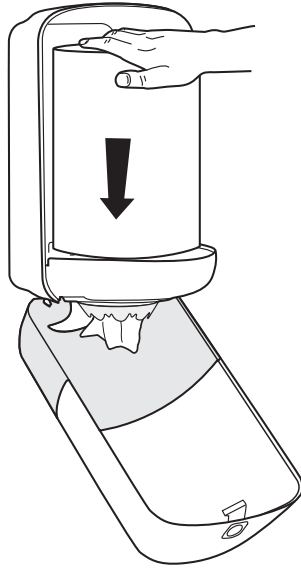
Bedfordshire, LU6 3EJ, UK

[www.torkglobal.com](http://www.torkglobal.com)

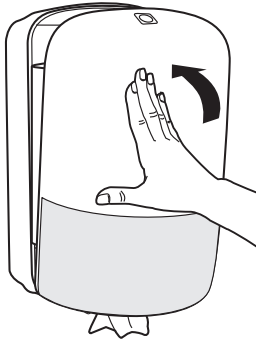
**TORK**<sup>®</sup>



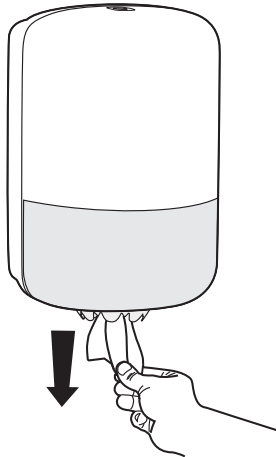
3.



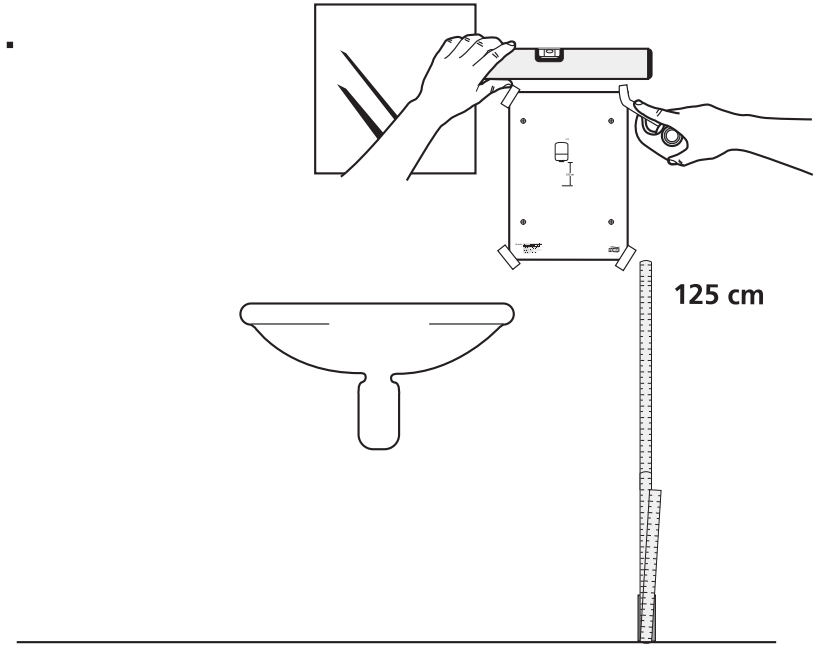
4.



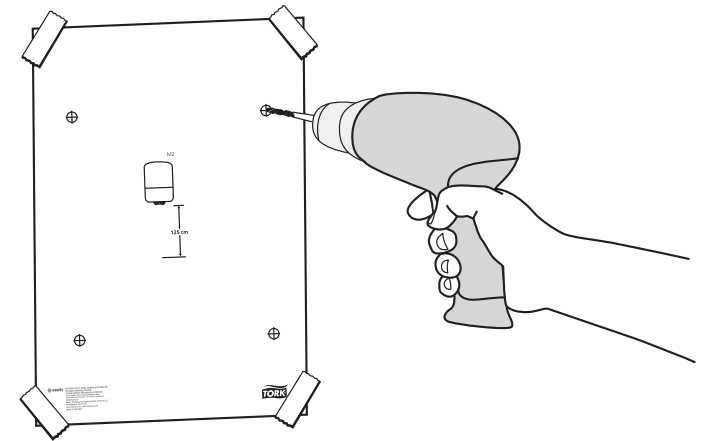
5.





1.

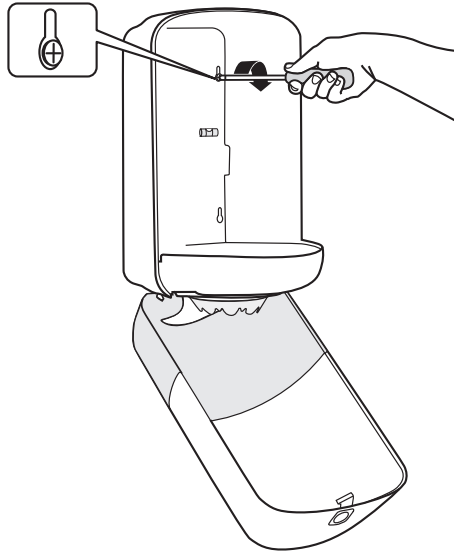


2.

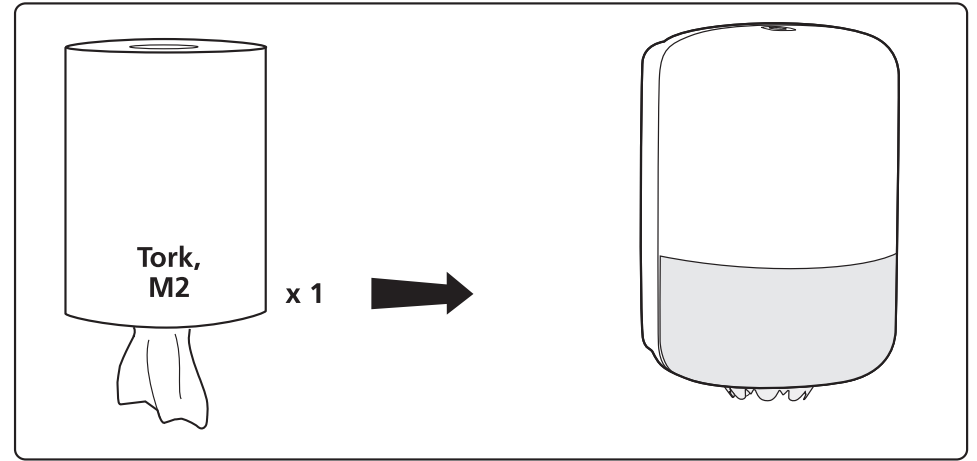
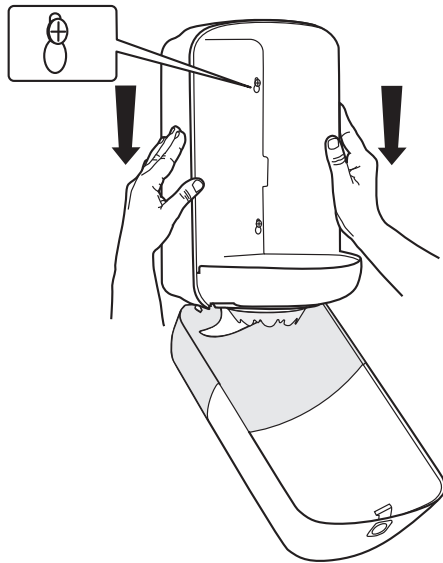


3.

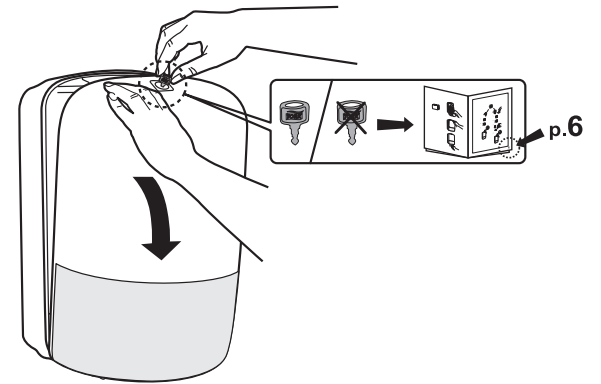
-  x 4
-  x 4



4.



1.



2.

